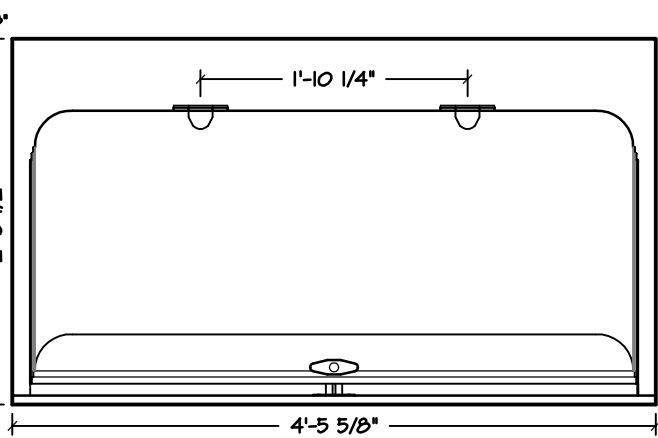
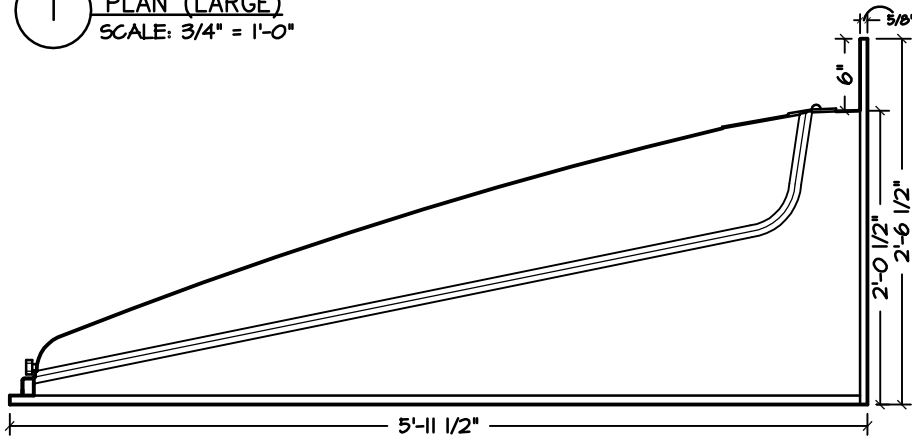


Large Clamdoor Overall Dimensions:
 4'-5-5/8" wide
 5'-11-1/2" long
 2'-0-1/2" tall (without flange)

* fits typical 8" thick concrete foundation bulkhead (equal to Bilco Size C steel bulkhead)

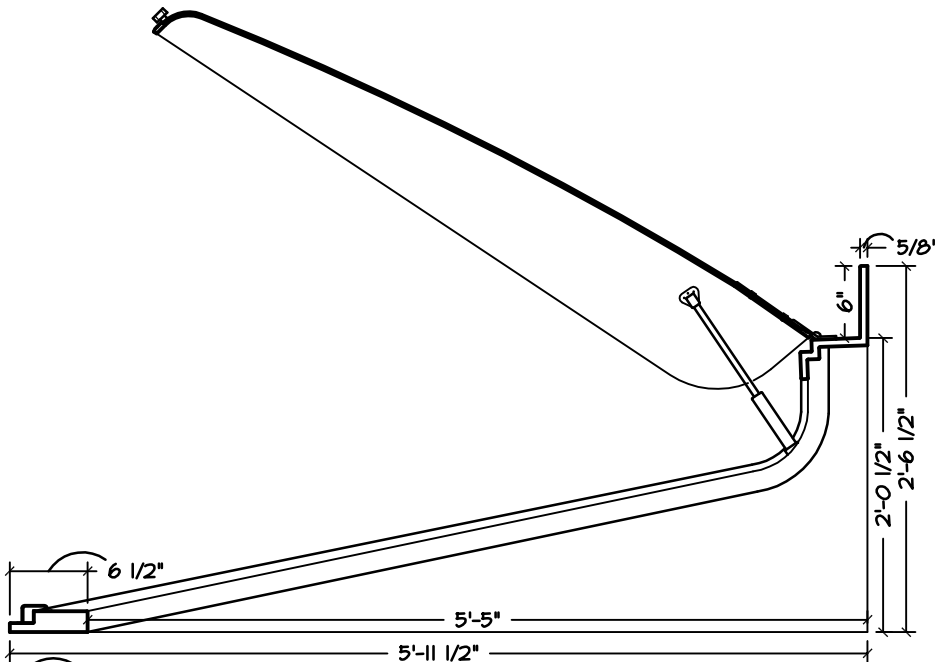
See www.CLAMDOOR.com for installation instructions & video, additional details and required materials.

1 PLAN (LARGE)
 SCALE: 3/4" = 1'-0"



2 SIDE ELEVATION (LARGE)
 SCALE: 3/4" = 1'-0"

4 FRONT ELEVATION (LARGE)
 SCALE: 3/4" = 1'-0"



3 SECTION - OPEN (LARGE)
 SCALE: 3/4" = 1'-0"