

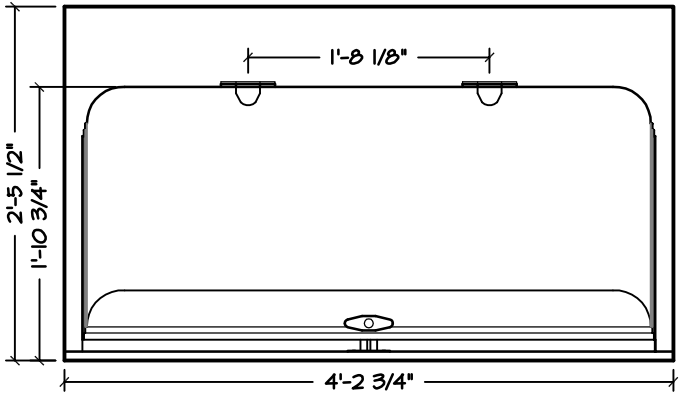
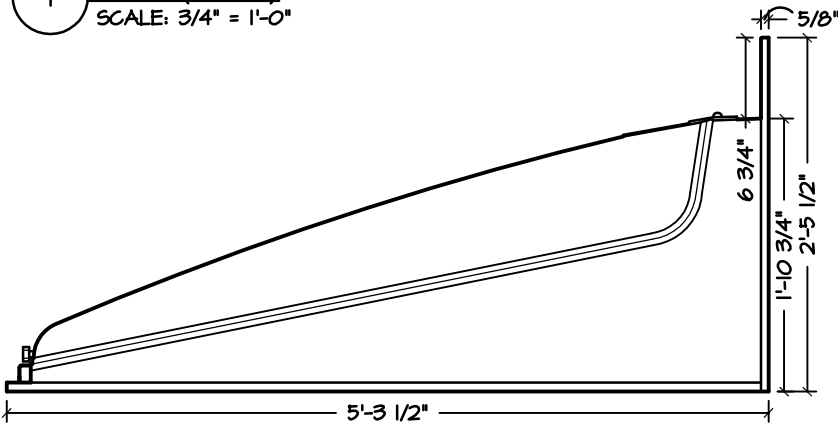
Small Clamdoor Overall Dimensions:

- 4'-2 3/4" wide
- 5'-3-1/2" long
- 1'-10-3/4" tall (without flange)

* fits typical 8" thick concrete foundation bulkhead (equal to Bilco Size B steel bulkhead)

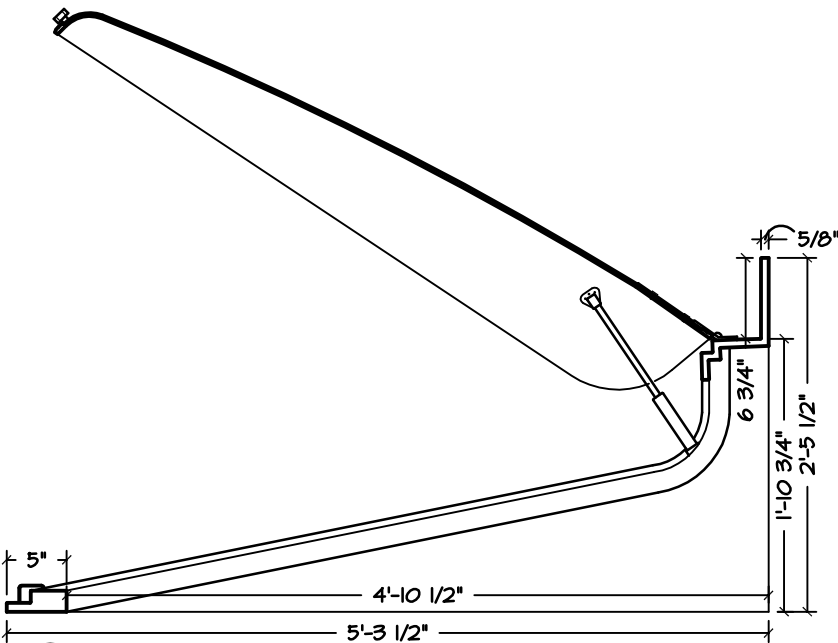
See www.CLAMDOOR.com for installation instructions & video, additional details and required materials.

1 PLAN (SMALL)
SCALE: 3/4" = 1'-0"



2 SIDE ELEVATION (SMALL)
SCALE: 3/4" = 1'-0"

4 FRONT ELEVATION (SMALL)
SCALE: 3/4" = 1'-0"



3 SECTION - OPEN (SMALL)
SCALE: 3/4" = 1'-0"